

Functions

● Basic functions

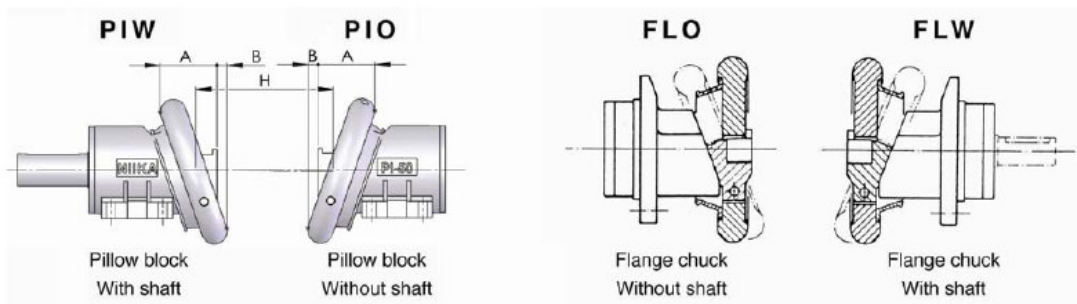
Safety Chuck is a quick coupling used in shafted center wind and center unwind applications and saves loading/unloading time. Since driving mechanism (sprocket) does not need every time to be removed while changing core holding shaft, it gives maintenance free working. So far, Niika offer various size of Flange and Pillow (Pedestal) model safety chuck for our globe customers.

● FEATURE

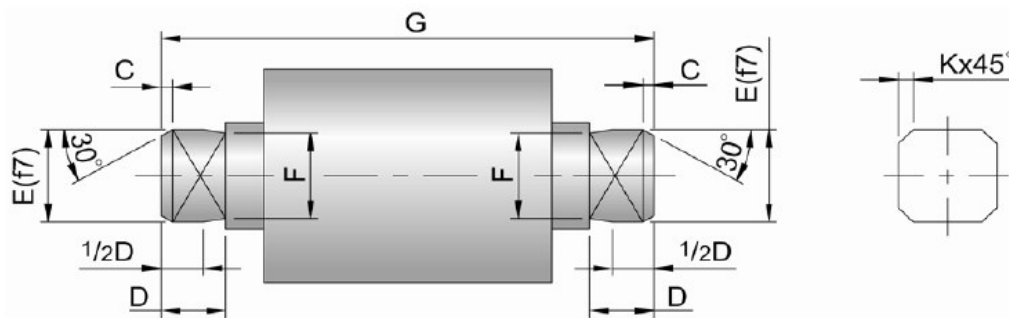
Safety Chucks provide for quick change at the end of a production run (either winding or unwinding). Less down time during turn around, the more cost efficient is your operation. They provide a means of transmitting torque to the roll you are winding/unwinding. Torque in the form of a drive on the rewind end of the operation and torque from a brake on the unwind side



● Safety Chuck Type



● Winding Shaft Tolerances



SIZE	A	B	C	D	E (f7)	E-F	H-G	K
Type 28	61	8	4	28	25.30	0.15	0.5	1
Type 35	73	13	5	30	32.38.40	0.2	0.5	1.5
Type 50	81	13	5	32	40.45.50	0.3	0.5	2
Type 75	106	16	6	40	55.65.75	0.5	0.5	3