

Euro Service

Euro Service A/S
 Højmarken 18
 DK - 5492 Vissenbjerg
 Tel. + 45 63 13 07 07
 Fax + 45 63 13 08 08
 SE-nr. DK20890290
 E-mail es@euro-service.dk
 Website www.euro-service.dk

FLO/W 50

FLANGE CHUCKS WITH/WITHOUT PIN

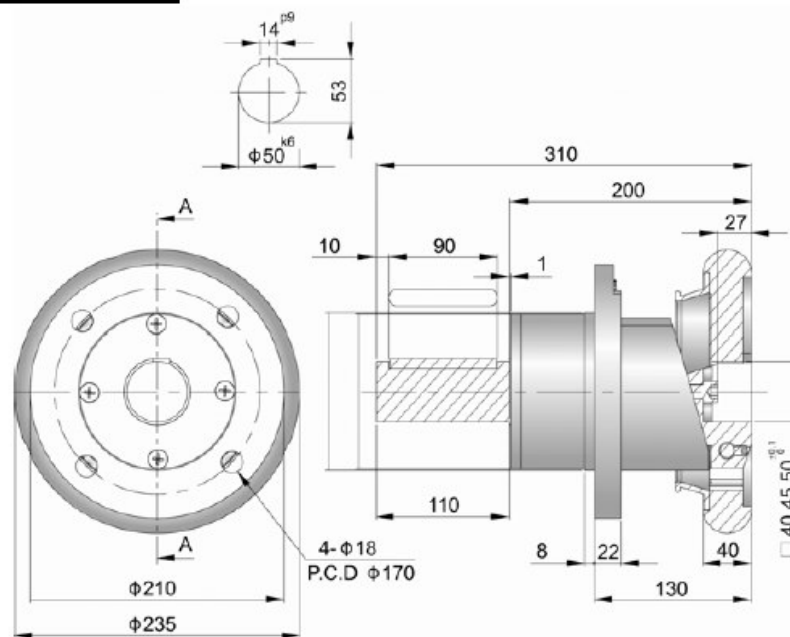
Size	FLO/W 50
Maximum load	2800 KG
Maximum torque allowed	110 kg m
Standard square bar size	40 45 50 mm
Unit Weight	53 kg



Our standard shaft diameter is Ø28 length 70 MM and can modify to meet your requirement

APPROXIMATE DIMENSION

FLO/W 50



Euro Service A/S reserves the right to modify or change the design without prior notice.